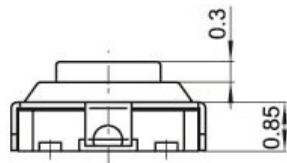
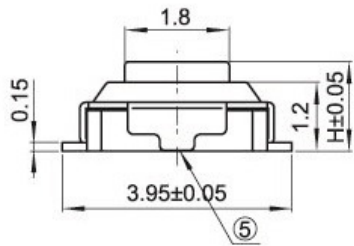


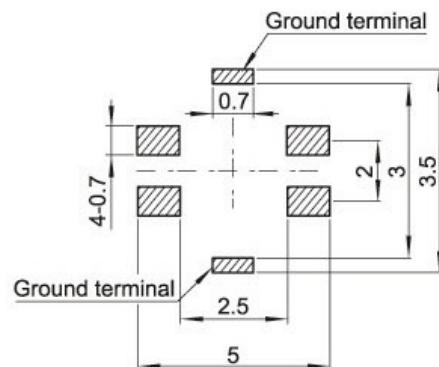
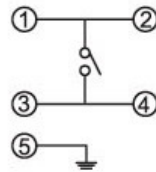
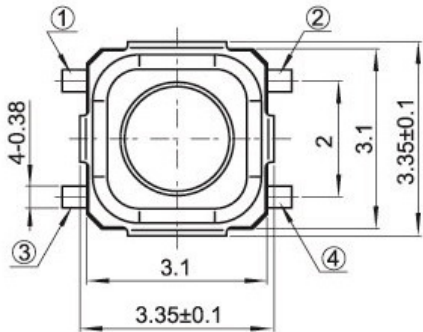
PART NUMBER: SMD-MINI-03

DESCRIPTION: 3.35X3.35X1.5/2.0mm MINI SMD TACT SWITCH

ROHS COMPLIANT



H
1.5
2.0



SPECIFICATIONS

Items		Standard
Operating temperature range		-30°C to +85°C
Electrical performance	Rating	50mA. 12V DC
	Insulation resistance	100MΩ min. 100V DC
	Dielectric strength	250V AC for 1 min.
	Contact resistance	100mΩ max.
Durability	Lifetime	100,000 Cycles
Mechanical performance	Operating force	90gf 160gf 250gf
	Travel	0.20 ± 0.1mm

Dimensional tolerance +/- 0.2mm

REV.00 DATE 07/04/2020

PRAN ELECTRONICS PVT. LTD.
INDIA.